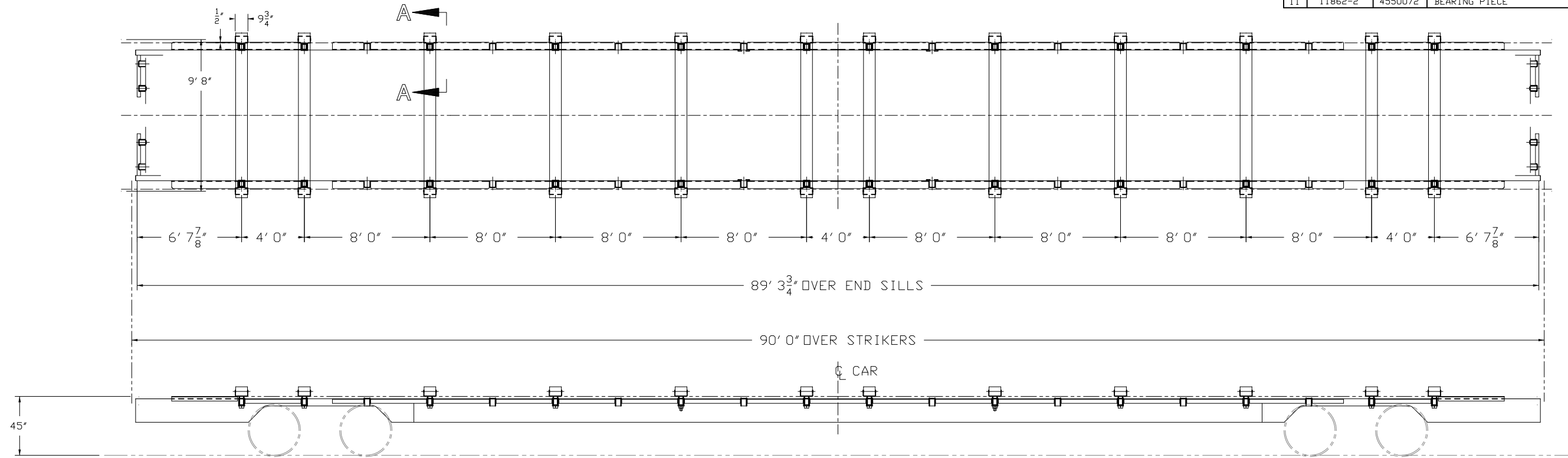
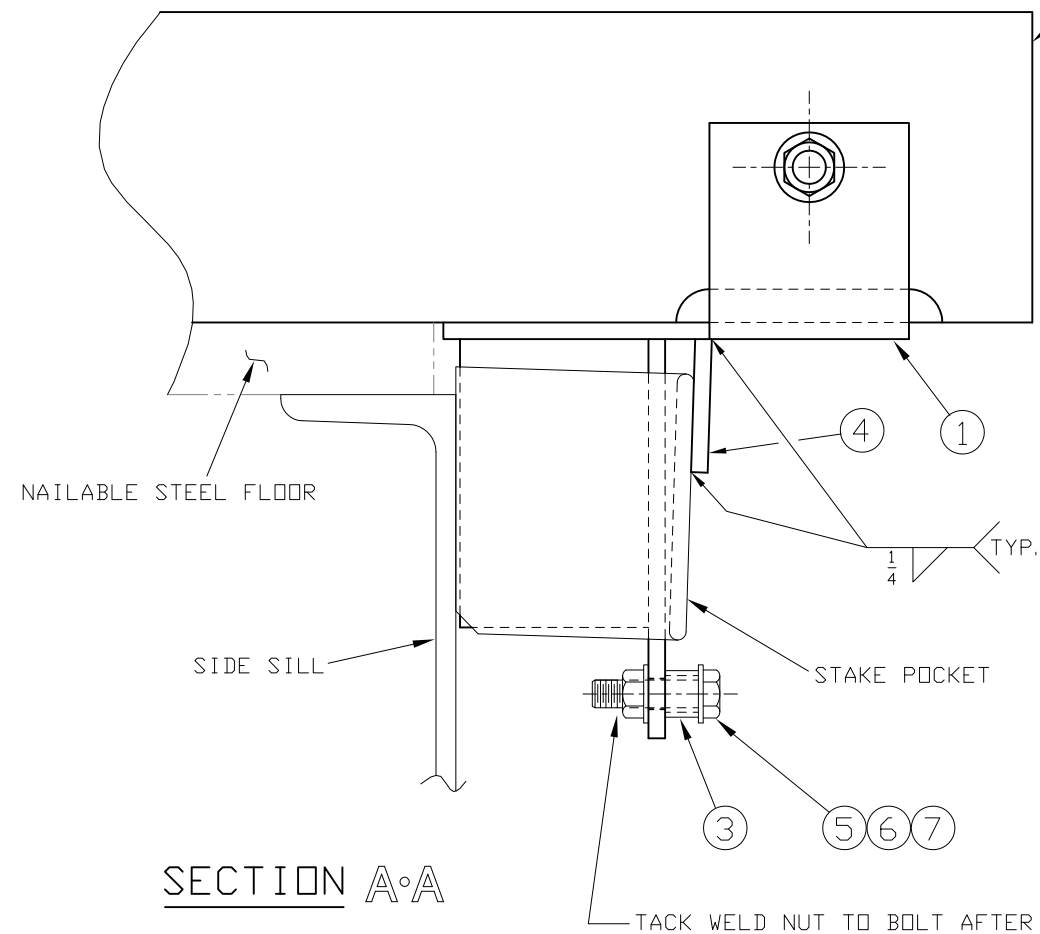


ITEM NO.	DRAWING NO.	REFERENCE NO.	DESCRIPTION	MATERIAL	WEIGHT	QTY
1	11860	4599087	COLLAR ASSEMBLY			24
2	11862-1	4550069	BEARING PIECE			12
3	11865	4599088	SPACER			24
4	15924	4110091	CONNECTION PLATE			24
5			5/8" X 2-1/2" LONG HEX BOLT			24

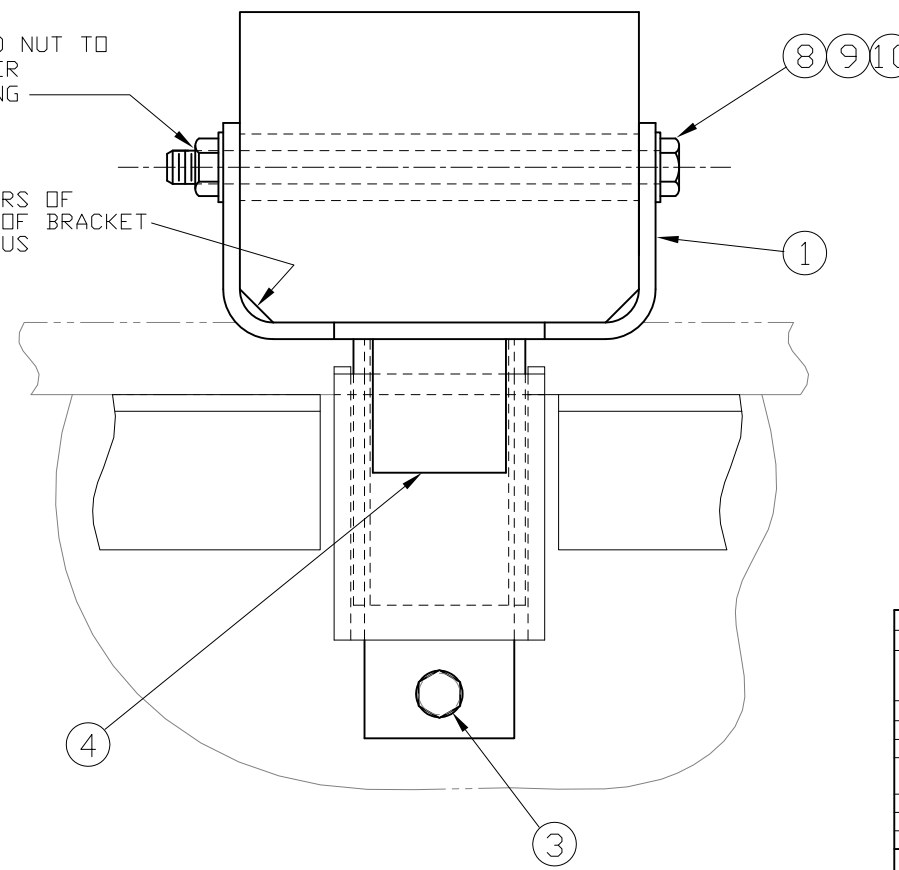
ITEM NO.	DRAWING NO.	REFERENCE NO.	DESCRIPTION	MATERIAL	WEIGHT	QTY
6			5/8" HEX NUT			24
7			5/8" WASHER-ZINC PLATED			48
8			3/4" X 12" LONG HEX BOLT			24
9			3/4" HEX NUT			24
10			3/4" WASHER-ZINC PLATED			48
11	11862-2	4550072	BEARING PIECE			12



② FOR NAILABLE STEEL FLOOR APPLICATIONS
 ① FOR FLAT STEEL DECK APPLICATIONS



TACK WELD NUT TO BOLT AFTER TIGHTENING
 CHAMFER CORNERS OF WOOD IN AREA OF BRACKET TO CLEAR RADIUS



NOTES:

1 REFERENCE TTX DRAWING 16390 FOLLOWING DEPLETION OF ITEM 1.

ITEM	REVISIONS	DATE	INT
I	ADDED ITEM 11	12-12-07	RAB
H	ADDED ITEMS 5-10	1-8-07	BEK
G	CHANGED 3/4" ESN TO STD. NUT-ADDED TACK WELD NOTE TO 3/4" BOLT	10-28-03	BEK
F	REMOVED ITEM 4	7-14-02	BEK
E	ADDED ITEM 4	8-9-02	BEK
D	REMOVED PLATE 'C' OUTLINE	9-14-00	BEK
C	12" BOLT WAS 11 1/2" ADDED ZINC PLATE NOTE	8-24-00	BEK
B	ADDED CHAMFER NOTE	8-22-00	BEK
A	INITIAL ISSUE	8-17-00	BEK

MI/SL: EMP-30 34
 APPLIES TO: 110 TON FLAT CARS

TTX COMPANY
 CHICAGO, ILLINOIS

GENERAL ARRANGEMENT
 PIPE CAR

TOLERANCE UNLESS OTHERWISE SPECIFIED
 MAT'L THK. = MILL TOLERANCE
 FRACTIONS = ± 1/8"
 DECIMALS = ± .010"
 HOLE DIA. = ± 1/32"
 ANGLES = ± 1'

WEIGHT	REFERENCE NUMBER	REFERENCE DRAWINGS	DR. RJR	CH. BEK	APP. BEK	DATE: 08/22/00	11863
		16390					

SECTION A-A

(SHOWN FOR NAILABLE STEEL FLOOR APPLICATION)